

TrendForm

List Pricing Guide



Panel Frames:

Panel Frames	4
Tile Specification Detail	5
Door Assemblies	6
Bayonet Stack on Assembly	7
Line of Sight Barrier	8
Panel Frame Connector, A-clip & C-clip	8

Connectors:

Two Way Connectors	9
Three Way Connectors	10
Four Way Connectors	11
Finished End	12
High Low Finished End	12
Stack-On Connector	13
Wall Starter (wall mounting kit)	14
Wall Tracks	14

Tiles:

Tackable Acoustical Tiles	15
Fabric Covered Tiles	15
Accessory Hanging Tiles	16
Painted Steel Tiles	17
Perforated Air Flow Tiles	17
Embossed Metal Tile: Circles	18
Embossed Metal Tile: Squares	18
Tempered Glass Tiles (Top Position)	19
Tempered Glass Tiles (Mid/ Bottom Position)	19
Frosted Etched Tempered Glass Tiles (Top Position)	20
Frosted Etched Tempered Glass Tiles (Mid/ Bottom Position)	20
Open Frame Tiles (Top Position)	21
Open Frame Tiles (Mid/Bottom Position)	21
Marker Board	22

Worksurface Supports:

Peninsula Support Column	23
End Panel Support	23
Universal Cantilever	24
Shared Cantilever Bracket	24
Corner/End Support Bracket	25
Transaction Top Support Bracket	25
Flat Plate Bracket	25

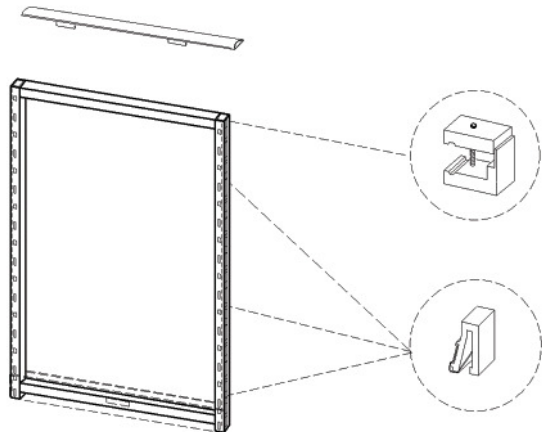
Storage and Accessories:

"B" Radius Front Pedestals	26
"SA" Square Front Pedestals	26
Lateral Files	27
Overhead Cabinets	28
Open Shelf (full and half height)	29
Keyboard Trays	30
Pencil Drawers	31
Task Lights	31

PANEL FRAMES

Shaded Items in Price List Available In
Limited Stocking Program

Panel Frames



Height	Width	Cat. Number	Wt./Ctn.	List
38"	24"	FM 3824	14.33	\$229
	30"	FM 3830	15.43	\$246
	36"	FM 3836	16.55	\$262
	42"	FM 3842	17.64	\$277
	48"	FM 3848	18.74	\$306
	60"	FM 3860	20.72	\$364
46"	24"	FM 4624	15.61	\$233
	30"	FM 4630	17.53	\$251
	36"	FM 4636	19.45	\$268
	42"	FM 4642	21.36	\$283
	48"	FM 4648	23.28	\$310
	60"	FM 4660	27.12	\$368
54"	24"	FM 5424	17.2	\$239
	30"	FM 5430	19.11	\$257
	36"	FM 5436	21.03	\$274
	42"	FM 5442	22.95	\$287
	48"	FM 5448	24.88	\$314
	60"	FM 5460	28.7	\$374
61"	24"	FM 6124	19.40	\$254
	30"	FM 6130	21.32	\$271
	36"	FM 6136	23.24	\$287
	42"	FM 6142	25.16	\$301
	48"	FM 6148	27.07	\$330
	60"	FM 6160	30.91	\$394
69"	24"	FM 6924	19.95	\$257
	30"	FM 6930	21.87	\$274
	36"	FM 6936	23.79	\$291
	42"	FM 6942	25.71	\$304
	48"	FM 6948	27.62	\$336
	60"	FM 6960	31.46	\$400
85"	24"	FM 8524	21.56	\$342
	30"	FM 8530	36.6	\$368
	36"	FM 8536	31.79	\$393
	42"	FM 8542	36.91	\$414
	48"	FM 8548	42.01	\$455
	60"	FM 8560	47.13	\$543

• Frames include:

- (1) Top Cap
- (2) Base plate covers with retaining clips and outlet covers
- (1) "C" Clip
- (2) "A" Clips for 38", 46" & 54"h. frames.
- (3) "A" Clips for 61", 69" & 85"h. frames.

To Order, Specify

- 1). Cat. Number
- 2). Top Cap Finish
- 3). Base Plate Finish

- A clips and C clip are used to connect frame to adjacent frame or connector post.
- Refer to Electrical section to specify power assemblies.

SPECIFICATION DETAIL

Electrical Specifications:

Refer to pages 54-58 of Trend Form Price List.

To power panel frames, specify:

- power entry
- single or double block raceway to power panel
- duplex receptacle; Single Block Raceway: 1 each for each side power is accessed; Double Block Raceway: 2 each for each side power is accessed.
- pass thru: Use a pass thru to connect two powered panels when a non powered panel is placed between them, and no outlets are required.

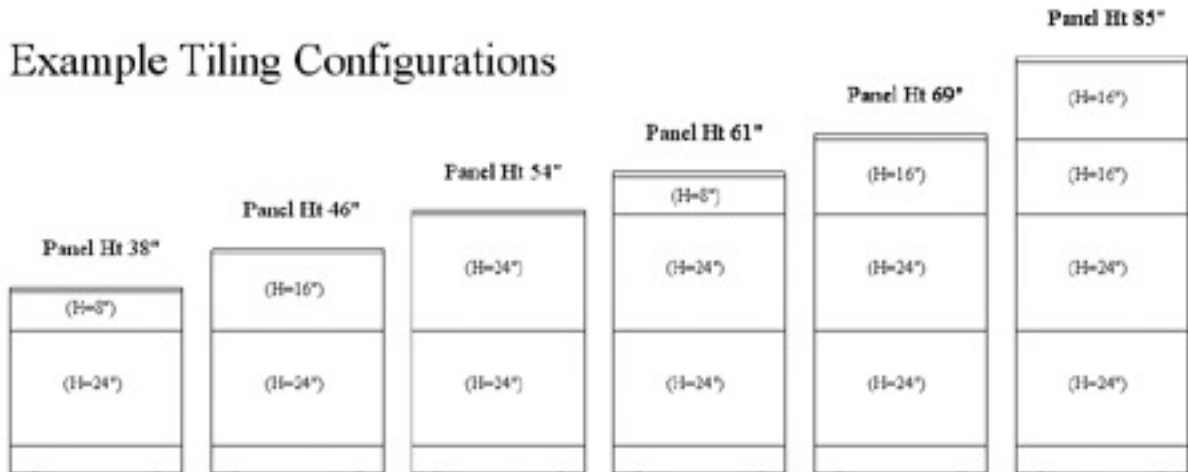
The Byrne 8-Trac Power System eliminates the need for power blocks, connecting cables, and panel to panel jumpers by combining these elements into one modular assembly. With 3 1/2" of adjustability, different length harnesses for 90 degree and "T" conditions are not required. Side, end and ceiling power feeds are available.

Tile Specifications:

Tiles are available in 8", 16" and 24" heights (8" increments). Special tile heights are available, minimum order quantity may apply. Contact CUSP customer service for custom tile quotes.

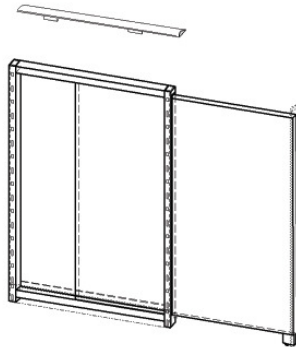
Specify tiles for a:

- | | |
|--------------------|--------------------------------|
| 38"ht. Panel Frame | Combination of 32" tile height |
| 46"ht. Panel Frame | Combination of 40" tile height |
| 54"ht. Panel Frame | Combination of 48" tile height |
| 61"ht. Panel Frame | Combination of 56" tile height |
| 69"ht. Panel Frame | Combination of 64" tile height |
| 85"ht. Panel Frame | Combination of 80" tile height |



DOOR ASSEMBLIES

Panel Frame with Pocket Door

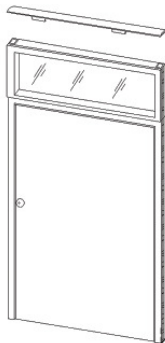


Height	Width	Item Number	List
61"	36"	FMP 6136	\$1,497
61"	42"	FMP 6142	\$1,528
61"	48"	FMP 6148	\$1,538
61"	60"	FMP 6160	\$1,588
69"	36"	FMP 6936	\$1,507
69"	42"	FMP 6942	\$1,517
69"	48"	FMP 6948	\$1,548
69"	60"	FMP 6960	\$1,607

NOTE: Panel frame with pocket door include top cap, baseplates, finished end, non locking caster on post leg, C clip and A clips.

- A clips and C clip are used to connect frame to adjacent frame or connector post
 - Pocket door shipped pre assembled
 - Pocket door screen is non load-bearing.
- To Order, Specify**
- 1). Cat. Number
 - 2). Screen Finish
 - 3). End Cap Finish
 - 4). Top Cap Finish

Full Door Assembly



Formica Door		Cat. Number	List
Height	Width		
85"	36"	TFDUF 600	\$2442
Formica Door w/ Glass Insert		Cat. Number	List
Height	Width		
85"	36"	TFDUGI 600	\$2,519
Wood Door		Cat. Number	List
Height	Width		
85"	36"	TFDUW 600	\$3,510

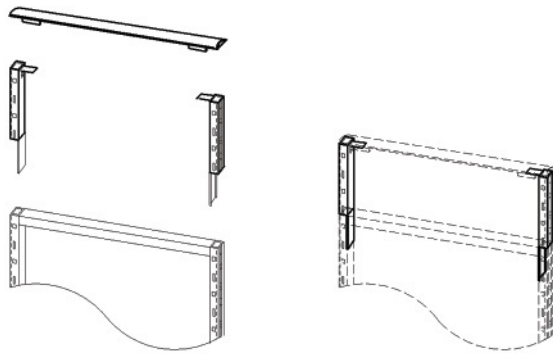
NOTE: Door Units include (2) GTT 0836, (2) vertical door jams, formica or wood door, locking door handle and hardware.

- A clips and C clip are used to connect frame to adjacent frame or connector post
- To Order, Specify**
- 1). Cat. Number
 - 2). Door Finish
 - 3). Trim Color

PANEL FRAME ACCESSORIES

*Shaded Items in Price List Available In
Limited Stocking Program*

Bayonet Stack On Assembly



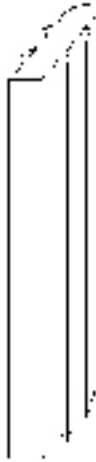
Height	Cat. Number	List
8"	BSA-08	\$ 77
16"	BSA-16	\$101
24"	BSA-24	\$126
32"	BSA-32	\$163

- Includes (2) two vertical bayonet frame posts, (2) two top cap retainer brackets.
- Utilizes top cap from base panel frame.
- Tiles must be ordered separately.

PANEL FRAME ACCESSORIES

Shaded Items in Price List Available In
Limited Stocking Program

Line of Sight Barrier

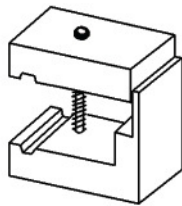


Length	Cat. Number	List
1'ft. (linear ft.)	TF SLB	\$7

- Black rubberized panel frame seam filler
- Specify length in linear feet required
- Must be field installed

To Order, Specify
1). Cat. Number
2). Linear Feet

Panel Frame Connector, C Clip and A Clip



C Clip

Cat. Number	Wt./Ctn.	List
TF CC		\$7



A Clip

Cat. Number	Wt./Ctn.	List
TF AC		\$3

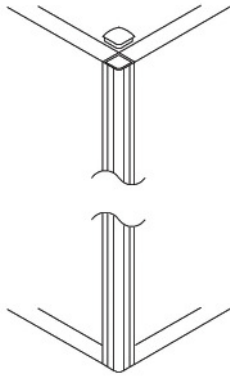
- Hardened Steel with standard Black Finish
- C Clip includes actuator bolt and Upper and Lower clamp blocks.
- A Clip includes panel frame spring lock

To Order, Specify
1). Cat. Number

CONNECTORS

Shaded Items in Price List Available In Limited Stocking Program

2 Way 90° Connector Post

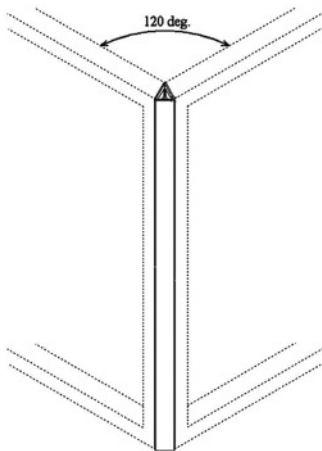


Height	Cat. Number	Wt./Ctn.	List
38"	C2 38	6.5	\$101
46"	C2 46	7.7	\$120
54"	C2 54	8.9	\$138
61"	C2 61	10.1	\$155
69"	C2 69	11.3	\$175
85"	C2 85	12.5	\$213

- Aluminum extrusion vertical connector post
- Specify to connect two adjacent panels in 90 deg. configuration
- Includes top cap, (2)"C" & (4)"A"clips. (69"ht & 85"ht. include (6) "A"clips).

To Order, Specify
 1). Cat. Number
 2). Color

2 Way 120° Connector Post



Height	Cat. Number	Wt./Ctn.	List
38"	C2-120D-38	6.5	\$287
46"	C2-120D-46	7.7	\$306
54"	C2-120D-54	8.9	\$326
61"	C2-120D-61	10.1	\$358
69"	C2-120D-69	11.3	\$422
85"	C2-120D-85	12.5	\$446

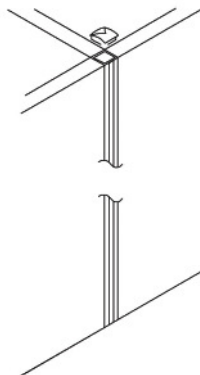
- Aluminum extrusion vertical connector post
- Specify to connect two adjacent panels in 120 deg. configuration
- Includes top cap, (2)"C" & (4)"A"clips. (69"ht & 85"ht. include (6) "A"clips).

To Order, Specify
 1). Cat. Number
 2). Color

CONNECTORS

Shaded Items in Price List Available In Limited Stocking Program

3 Way 90° Connector Post



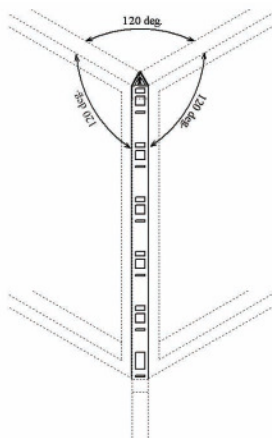
Height	Cat. Number	Wt./Ctn.	List
38"	C3 38	6.5	\$119
46"	C3 46	7.7	\$138
54"	C3 54	8.9	\$155
61"	C3 61	10.1	\$174
69"	C3 69	11.3	\$197
85"	C3 85	12.5	\$238

- Aluminum extrusion vertical connector post
- Specify to connect three adjacent panels in 90 deg. configuration
- Includes top cap, (3) "C" clips, & (6) "A" clips. (69"ht & 85"ht includes (9) "A" clips). Specify color if different from post.

To Order, Specify

- 1). Cat. Number
- 2). Post Color

3 Way 120° Connector Post



Height	Cat. Number	Wt./Ctn.	List
38"	C3-120D-38	6.5	\$383
46"	C3-120D-46	7.7	\$446
54"	C3-120D-54	8.9	\$486
61"	C3-120D-61	10.1	\$510
69"	C3-120D-69	11.3	\$613
85"	C3-120D-85	12.5	\$639

- Aluminum extrusion vertical connector post
- Specify to connect three adjacent panels in 120 deg. configuration
- Includes top cap, (3) "C" clips, & (6) "A" clips. (69"ht & 85"ht includes (9) "A" clips). Specify color if different from post.

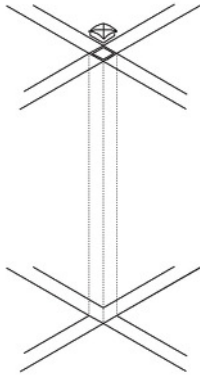
To Order, Specify

- 1). Cat. Number
- 2). Post Color

CONNECTORS

*Shaded Items in Price List Available In
Limited Stocking Program*

4 Way 90° Connector Post



Height	Cat. Number	Wt./Ctn.	List
38"	C4 38	6.5	\$92
46"	C4 46	7.7	\$106
54"	C4 54	8.9	\$118
61"	C4 61	10.1	\$130
69"	C4 69	11.3	\$148
85"	C4 85	12.5	\$178

- Aluminum extrusion vertical connector post
- Specify to connect four adjacent panels in 90 deg. configuration
- Includes top cap, (4) "C" clips & (8) "A" clips. (69"ht & 85"ht includes (12) "A" clips). Specify color if different from post.

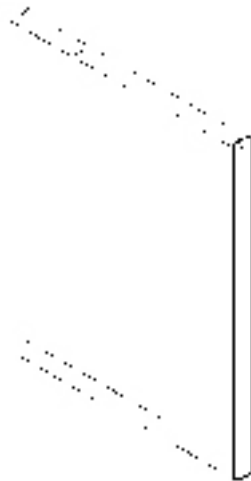
To Order, Specify

- 1). Cat. Number
- 2). Post Color

CONNECTORS

Shaded Items in Price List Available In Limited Stocking Program

Finished End of Run Cap



Height	Cat. Number	Wt./Ctn.	List
38"	FE 38	17.75	\$38
46"	FE 46	21.34	\$45
54"	FE 54	24.29	\$52
61"	FE 61	28.53	\$59
69"	FE 69	32.13	\$68
85"	FE 85	35.78	\$83

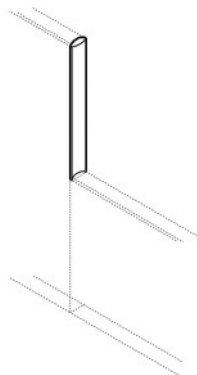
Wood Finished End Cap

Height	Cat. Number	Wt./Ctn.	List
38"	WFE 38	17.75	\$303
46"	WFE 46	21.34	\$404
54"	WFE 54	24.29	\$486
61"	WFE 61	28.53	\$506
69"	WFE 69	32.13	\$607
85"	WFE 85	35.78	\$707

- Includes molded plastic top cap trim and steel mounting clips.
- Specify on end of panel run where no other panels are to be connected.

To Order, Specify
 1) Cat. Number
 2) Surface Color

High Low Finished End Cap



Height	Cat. Number	Wt./Ctn.	List
8"	HLFE 8	4.1	\$36
16"	HLFE 16	7.7	\$42
24"	HLFE 24	11.3	\$48
32"	HLFE 32	13.2	\$54
40"	HLFE 40	13.2	\$59
48"	HLFE 48	13.2	\$70

Wood Finished Hi/Lo End Cap

Height	Cat. Number	Wt./Ctn.	List
7"	WHLFE 7	4.1	\$ 61
15"	WHLFE 15	7.7	\$ 81
23"	WHLFE 23	11.3	\$101
31"	WHLFE 31	13.2	\$183

(Bottom Curved Finish)

BCF HiLo	0.2	\$3
----------	-----	-----

- Includes molded plastic top cap trim, bottom curved rubber trim and steel mounting clips.
- Specify to finish exposed frame on configurations of unequal height.

To Order, Specify
 1) Cat. Number
 2) Surface Color

CONNECTORS

Stack-On Connector



2-Way Stack On Connector

Height	Cat. Number	Type	List
8"	C2 BSA 8	2-Way 90 deg	\$ 99
16"	C2 BSA 16	2-Way 90 deg	\$119
24"	C2 BSA 24	2-Way 90 deg	\$138
32"	C2 BSA 32	2-Way 90 deg	\$159

3-Way Stack On Connector

Height	Cat. Number	Type	List
8"	C3 BSA 8	3-Way 90 deg	\$110
16"	C3 BSA 16	3-Way 90 deg	\$130
24"	C3 BSA 24	3-Way 90 deg	\$152
32"	C3 BSA 32	3-Way 90 deg	\$175

4-Way Stack On Connector

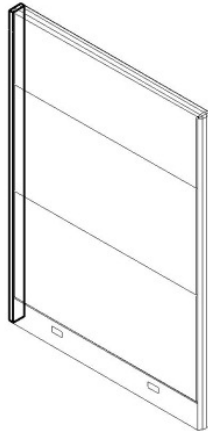
Height	Cat. Number	Type	List
8"	C4 BSA 8	4-Way 90 deg	\$139
16"	C4 BSA 16	4-Way 90 deg	\$161
24"	C4 BSA 24	4-Way 90 deg	\$180
32"	C4 BSA 32	4-Way 90 deg	\$206

- Aluminum extrusion vertical connector post extension
- Specify to extend the height of existing connector.

To Order, Specify
 1) Cat. Number
 2) Color

CONNECTORS

Wall Starter (wall mounting kit)



Cat. Number	Type	List
TF-WS38	Wall Starter, 38"H	\$ 157
TF-WS46	Wall Starter, 46"H	\$ 164
TF-WS54	Wall Starter, 54"H	\$ 171
TF-WS61	Wall Starter, 61"H	\$ 178
TF-WS69	Wall Starter, 69"H	\$ 187
TF-WS85	Wall Starter, 85"H	\$ 201

NOTE:

Wall starter hardware to attach wall starter to wall is not included. Hardware and screws to attach wall starter is determined by the type of fixed wall the wall starter is attaching to.

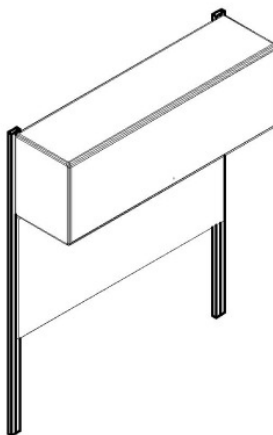
Specify when mounting a frame to a fixed wall.

- Wall starter adds 1" inch to panel runs. Wall starter hardware to attach wall starter to wall is not included.
- Hardware and screws to attach wall starter is determined by the type of fixed wall the wall starter is attaching to.

To Order, Specify

- 1) Cat. Number
- 2) Color

Wall Tracks



Cat. Number	Type	List
TF-WT38	Wall Track, 38"H	\$ 135
TF-WT46	Wall Track, 46"H	\$ 142
TF-WT54	Wall Track, 54"H	\$ 148
TF-WT61	Wall Track, 61"H	\$ 154
TF-WT69	Wall Track, 69"H	\$ 161
TF-WT85	Wall Track, 85"H	\$ 174

NOTE:

Wall track hardware to attach wall starter to wall is not included. Hardware and screws to attach wall track is determined by the type of fixed wall the wall track is attaching to.

Specify when mounting hanging components or tiles to a fixed wall.

- Wall track is 1" inch depth. Vertical mounting slots are incremental at 1" centers. Wall tracks may not be shared between flipper door units, open shelves or tackboards and require two tracks to mount.

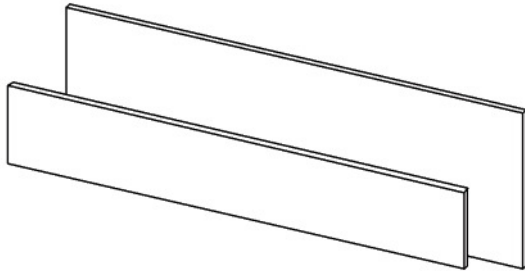
To Order, Specify

- 1) Cat. Number
- 2) Color

TILES

Shaded Items in Price List Available In
Limited Stocking Program

Tackable Acoustic Tiles

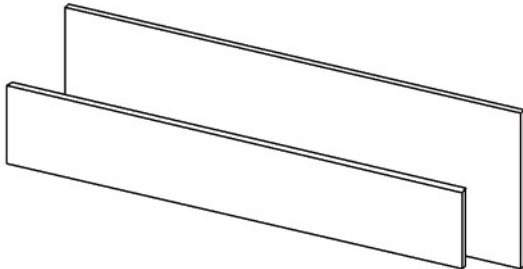


Height	Width	Cat. Number	Wt./Ctn.	List
8"	24"	TAT 0824	8.98	\$ 45
8"	30"	TAT 0830	10.98	\$ 49
8"	36"	TAT 0836	12.98	\$ 53
8"	42"	TAT 0842	14.98	\$ 56
8"	48"	TAT 0848	16.98	\$ 64
8"	60"	TAT 0860	20.98	\$ 76
16"	24"	TAT 1624	8.58	\$ 62
16"	30"	TAT 1630	10.58	\$ 69
16"	36"	TAT 1636	11.98	\$ 76
16"	42"	TAT 1642	13.98	\$ 82
16"	48"	TAT 1648	15.98	\$ 93
16"	60"	TAT 1660	19.98	\$110
24"	24"	TAT 2424	17.42	\$ 84
24"	30"	TAT 2430	21.60	\$ 93
24"	36"	TAT 2436	25.77	\$101
24"	42"	TAT 2442	30.02	\$108
24"	48"	TAT 2448	34.56	\$124
24"	60"	TAT 2460	38.60	\$147

- Includes upper retainer tabs and lower retainer hooks
- For more information see product detail section and installation guide.
- Custom heights available in 8" increments.

To Order, Specify
1) Cat. Number
2) Surface Fabric

Fabric Covered Tiles



Height	Width	Cat. Number	Wt./Ctn.	List
8"	24"	MTF 0824	8.98	\$ 41
8"	30"	MTF 0830	10.98	\$ 46
8"	36"	MTF 0836	12.98	\$ 49
8"	42"	MTF 0842	14.98	\$ 53
8"	48"	MTF 0848	16.98	\$ 60
8"	60"	MTF 0860	20.98	\$ 71
16"	24"	MTF 1624	8.58	\$ 59
16"	30"	MTF 1630	10.58	\$ 64
16"	36"	MTF 1636	11.98	\$ 71
16"	42"	MTF 1642	13.98	\$ 76
16"	48"	MTF 1648	15.98	\$ 86
16"	60"	MTF 1660	19.98	\$102
24"	24"	MTF 2424	17.42	\$ 78
24"	30"	MTF 2430	21.60	\$ 86
24"	36"	MTF 2436	25.77	\$ 94
24"	42"	MTF 2442	30.02	\$102
24"	48"	MTF 2448	34.56	\$115
24"	60"	MTF 2460	38.60	\$137

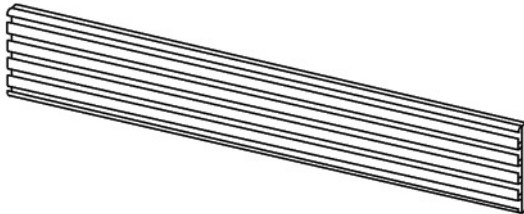
- Includes upper retainer tabs and lower retainer hooks
- Fabric over steel tile.
- Custom heights available in 8" increments.

To Order, Specify
1). Cat. Number
2). Surface fabric

TILES

*Shaded Items in Price List Available In
Limited Stocking Program*

Accessory Hanging Tile



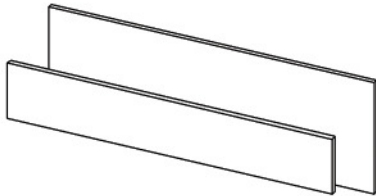
Height	Width	Cat. Number	Wt./Ctn.	List
8"	24"	AHT 0824	8.98	\$ 93
8"	30"	AHT 0830	10.98	\$100
8"	36"	AHT 0836	12.98	\$107
8"	42"	AHT 0842	14.98	\$115
8"	48"	AHT 0848	16.98	\$125
8"	60"	AHT 0860	20.98	\$160

- Includes upper locking tabs and lower retainer hooks.
 - Painted aluminum surface.
- To Order, Specify**
1) Cat. Number

TILES

Shaded Items in Price List Available In Limited Stocking Program

Painted Steel Tiles

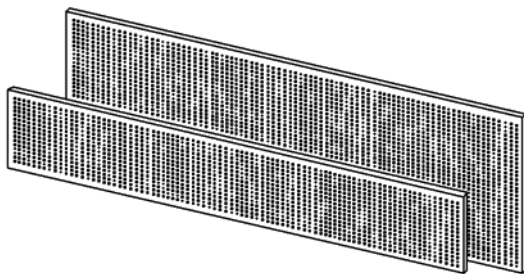


Height	Width	Cat. Number	Wt./Ctn.	List
8"	24"	MT 0824	8.98	\$ 38
8"	30"	MT 0830	10.98	\$ 41
8"	36"	MT 0836	12.98	\$ 46
8"	42"	MT 0842	14.98	\$ 48
8"	48"	MT 0848	16.98	\$ 55
8"	60"	MT 0860	20.98	\$ 67
16"	24"	MT 1624	8.58	\$ 54
16"	30"	MT 1630	10.58	\$ 61
16"	36"	MT 1636	11.98	\$ 67
16"	42"	MT 1642	13.98	\$ 71
16"	48"	MT 1648	15.98	\$ 83
16"	60"	MT 1660	19.98	\$ 99
24"	24"	MT 2424	17.42	\$ 74
24"	30"	MT 2430	21.60	\$ 83
24"	36"	MT 2436	25.77	\$ 90
24"	42"	MT 2442	30.02	\$ 97
24"	48"	MT 2448	34.56	\$110
24"	60"	MT 2460	38.60	\$132

- Includes upper retainer tabs and lower retainer hooks
- Monochrome painted steel tile.
- Custom heights available in 8" increments.

To Order, Specify
 1). Cat. Number
 2). Surface Color

Perforated Air Flow Tiles



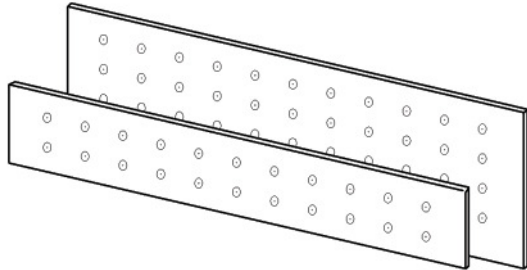
Height	Width	Cat. Number	Wt./Ctn.	List
8"	24"	AFT 0824	8.98	\$ 40
8"	30"	AFT 0830	10.98	\$ 44
8"	36"	AFT 0836	12.98	\$ 48
8"	42"	AFT 0842	14.98	\$ 51
8"	48"	AFT 0848	16.98	\$ 59
8"	60"	AFT 0860	20.98	\$ 72
16"	24"	AFT 1624	8.58	\$ 57
16"	30"	AFT 1630	10.58	\$ 63
16"	36"	AFT 1636	11.98	\$ 69
16"	42"	AFT 1642	13.98	\$ 75
16"	48"	AFT 1648	15.98	\$ 86
16"	60"	AFT 1660	19.98	\$108
24"	24"	AFT 2424	17.42	\$ 78
24"	30"	AFT 2430	21.60	\$ 86
24"	36"	AFT 2436	25.77	\$ 93
24"	42"	AFT 2442	30.02	\$100
24"	48"	AFT 2448	34.56	\$115
24"	60"	AFT 2460	38.60	\$145

- Includes upper retainer tabs and lower retainer hooks
- Monochrome painted steel tile.
- Custom heights available in 8" increments.

To Order, Specify
 1). Cat. Number
 2). Surface Color

TILES

Embossed Metal Tile Circles

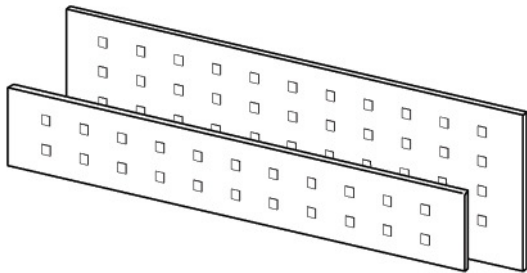


Height	Width	Cat. Number	Wt./Ctn.	List
8"	24"	EMTC 0824	8.98	\$ 40
8"	30"	EMTC 0830	10.98	\$ 44
8"	36"	EMTC 0836	12.98	\$ 48
8"	42"	EMTC 0842	14.98	\$ 51
8"	48"	EMTC 0848	16.98	\$ 59
8"	60"	EMTC 0860	20.98	\$ 72
16"	24"	EMTC 1624	8.58	\$ 57
16"	30"	EMTC 1630	10.58	\$ 63
16"	36"	EMTC 1636	11.98	\$ 69
16"	42"	EMTC 1642	13.98	\$ 75
16"	48"	EMTC 1648	15.98	\$ 86
16"	60"	EMTC 1660	19.98	\$108
24"	24"	EMTC 2424	17.42	\$ 78
24"	30"	EMTC 2430	21.60	\$ 86
24"	36"	EMTC 2436	25.77	\$ 93
24"	42"	EMTC 2442	30.02	\$100
24"	48"	EMTC 2448	34.56	\$115
24"	60"	EMTC 2460	38.60	\$145

- Includes upper retainer tabs and lower retainer hooks
- Monochrome painted steel tile.
- Custom heights available in 8" increments.

To Order, Specify
 1). Cat. Number
 2). Surface Color

Embossed Metal Tile Squares



Height	Width	Cat. Number	Wt./Ctn.	List
8"	24"	EMTS 0824	8.98	\$ 40
8"	30"	EMTS 0830	10.98	\$ 44
8"	36"	EMTS 0836	12.98	\$ 48
8"	42"	EMTS 0842	14.98	\$ 51
8"	48"	EMTS 0848	16.98	\$ 59
8"	60"	EMTS 0860	20.98	\$ 72
16"	24"	EMTS 1624	8.58	\$ 57
16"	30"	EMTS 1630	10.58	\$ 63
16"	36"	EMTS 1636	11.98	\$ 69
16"	42"	EMTS 1642	13.98	\$ 75
16"	48"	EMTS 1648	15.98	\$ 86
16"	60"	EMTS 1660	19.98	\$108
24"	24"	EMTS 2424	17.42	\$ 78
24"	30"	EMTS 2430	21.60	\$ 86
24"	36"	EMTS 2436	25.77	\$ 93
24"	42"	EMTS 2442	30.02	\$100
24"	48"	EMTS 2448	34.56	\$115
24"	60"	EMTS 2460	38.60	\$145

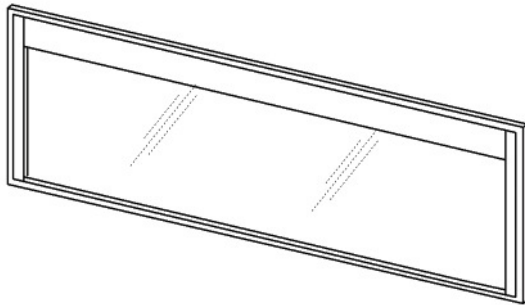
- Includes upper retainer tabs and lower retainer hooks
- Monochrome painted steel tile.
- Custom heights available in 8" increments.

To Order, Specify
 1). Cat. Number
 2). Surface Color

TILES

Shaded Items in Price List Available In
Limited Stocking Program

Tempered Glass Tiles (Top of Frame)



Height	Width	Cat. Number	Wt./Ctn.	List
8"	24"	GTT 0824	8.98	\$101
8"	30"	GTT 0830	10.98	\$108
8"	36"	GTT 0836	12.98	\$116
8"	42"	GTT 0842	14.98	\$123
8"	48"	GTT 0848	16.98	\$137
8"	60"	GTT 0860	20.98	\$174
16"	24"	GTT 1624	8.58	\$113
16"	30"	GTT 1630	10.58	\$121
16"	36"	GTT 1636	11.98	\$129
16"	42"	GTT 1642	13.98	\$137
16"	48"	GTT 1648	15.98	\$152
16"	60"	GTT 1660	19.98	\$193
24"	24"	GTT 2424	17.42	\$171
24"	30"	GTT 2430	21.60	\$183
24"	36"	GTT 2436	25.77	\$195
24"	42"	GTT 2442	30.02	\$208
24"	48"	GTT 2448	34.56	\$230
24"	60"	GTT 2460	38.60	\$293

NOTE:

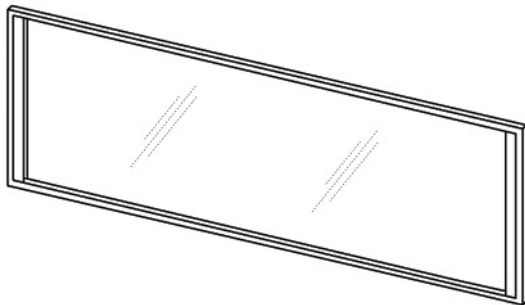
Glass tile must be paired front and back for glass tile application. Back and front tiles must be ordered separately.

- Includes upper retainer tabs and lower retainer hooks
- Monochrome painted aluminum tile frame.
- Custom heights available in 8" increments.

To Order, Specify

- 1). Cat. Number
- 2). Frame color

Tempered Glass Tiles(Mid/Bottom of Frame)



Height	Width	Cat. Number	Wt./Ctn.	List
8"	24"	GTM 0824	8.98	\$101
8"	30"	GTM 0830	10.98	\$108
8"	36"	GTM 0836	12.98	\$116
8"	42"	GTM 0842	14.98	\$123
8"	48"	GTM 0848	16.98	\$137
8"	60"	GTM 0860	20.98	\$174
16"	24"	GTM 1624	8.58	\$113
16"	30"	GTM 1630	10.58	\$121
16"	36"	GTM 1636	11.98	\$129
16"	42"	GTM 1642	13.98	\$137
16"	48"	GTM 1648	15.98	\$152
16"	60"	GTM 1660	19.98	\$193
24"	24"	GTM 2424	17.42	\$171
24"	30"	GTM 2430	21.60	\$183
24"	36"	GTM 2436	25.77	\$195
24"	42"	GTM 2442	30.02	\$208
24"	48"	GTM 2448	34.56	\$230
24"	60"	GTM 2460	38.60	\$293

NOTE:

Glass tile must be paired front and back for glass tile application. Back and front tiles must be ordered separately.

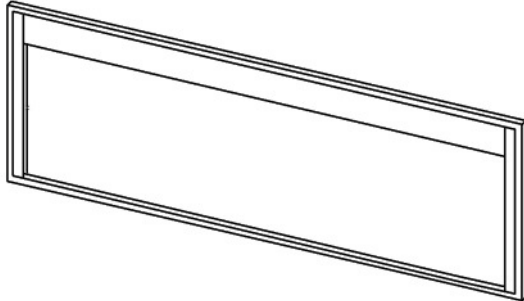
- Includes upper retainer tabs and lower retainer hooks
- Monochrome painted aluminum tile frame.
- Custom heights available in 8" increments.

To Order, Specify

- 1). Cat. Number
- 2). Frame color

TILES

**Frosted Etched Tempered Glass Tiles
(Top of Frame)**



Height	Width	Cat. Number	Wt./Ctn.	List
8"	24"	GTET 0824	8.98	\$115
8"	30"	GTET 0830	10.98	\$122
8"	36"	GTET 0836	12.98	\$131
8"	42"	GTET 0842	14.98	\$139
8"	48"	GTET 0848	16.98	\$154
8"	60"	GTET 0860	20.98	\$195
16"	24"	GTET 1624	8.58	\$128
16"	30"	GTET 1630	10.58	\$136
16"	36"	GTET 1636	11.98	\$145
16"	42"	GTET 1642	13.98	\$154
16"	48"	GTET 1648	15.98	\$170
16"	60"	GTET 1660	19.98	\$217
24"	24"	GTET 2424	17.42	\$193
24"	30"	GTET 2430	21.60	\$207
24"	36"	GTET 2436	25.77	\$221
24"	42"	GTET 2442	30.02	\$234
24"	48"	GTET 2448	34.56	\$260
24"	60"	GTET 2460	38.60	\$331

NOTE:

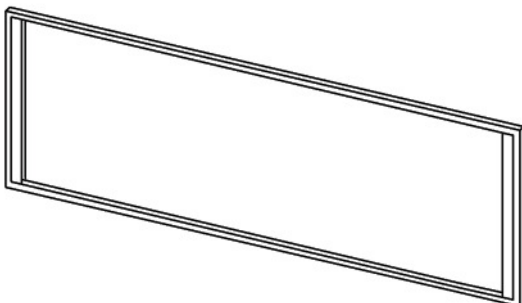
Glass tile must be paired front and back for glass tile application. Back and front tiles must be ordered separately.

- Includes upper retainer tabs and lower retainer hooks
- Monochrome painted aluminum tile frame.
- Custom heights available in 8" increments.

To Order, Specify

- 1). Cat. Number
- 2). Frame color

**Frosted Etched Tempered Glass
(Mid/Bottom of Frame)**



Height	Width	Cat. Number	Wt./Ctn.	List
8"	24"	GTEM 0824	8.98	\$115
8"	30"	GTEM 0830	10.98	\$122
8"	36"	GTEM 0836	12.98	\$131
8"	42"	GTEM 0842	14.98	\$139
8"	48"	GTEM 0848	16.98	\$154
8"	60"	GTEM 0860	20.98	\$195
16"	24"	GTEM 1624	8.58	\$128
16"	30"	GTEM 1630	10.58	\$136
16"	36"	GTEM 1636	11.98	\$145
16"	42"	GTEM 1642	13.98	\$154
16"	48"	GTEM 1648	15.98	\$170
16"	60"	GTEM 1660	19.98	\$217
24"	24"	GTEM 2424	17.42	\$193
24"	30"	GTEM 2430	21.60	\$207
24"	36"	GTEM 2436	25.77	\$221
24"	42"	GTEM 2442	30.02	\$234
24"	48"	GTEM 2448	34.56	\$260
24"	60"	GTEM 2460	38.60	\$331

NOTE:

Glass tile must be paired front and back for glass tile application. Back and front tiles must be ordered separately.

- Includes upper retainer tabs and lower retainer hooks
- Monochrome painted aluminum tile frame.
- Custom heights available in 8" increments.

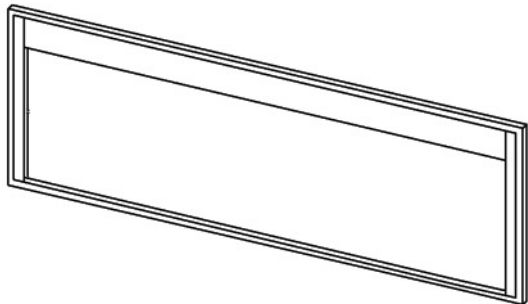
To Order, Specify

- 1). Cat. Number
- 2). Frame color

TILES

Shaded Items in Price List Available In Limited Stocking Program

Open Frame Tile Top Position



Height	Width	Cat. Number	List
8"	24"	OFTT 0824	\$ 74
8"	30"	OFTT 0830	\$ 78
8"	36"	OFTT 0836	\$ 84
8"	42"	OFTT 0842	\$ 89
8"	48"	OFTT 0848	\$ 99
8"	60"	OFTT 0860	\$125
16"	24"	OFTT 1624	\$ 82
16"	30"	OFTT 1630	\$ 87
16"	36"	OFTT 1636	\$100
16"	42"	OFTT 1642	\$107
16"	48"	OFTT 1648	\$115
16"	60"	OFTT 1660	\$139
24"	24"	OFTT 2424	\$123
24"	30"	OFTT 2430	\$132
24"	36"	OFTT 2436	\$141
24"	42"	OFTT 2442	\$151
24"	48"	OFTT 2448	\$167
24"	60"	OFTT 2460	\$211

NOTE:

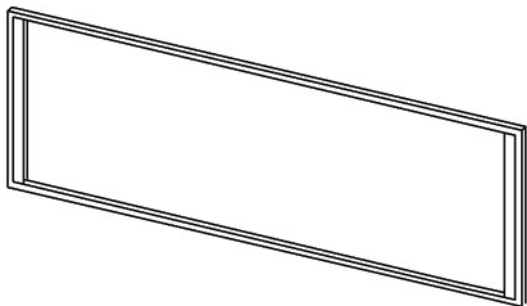
Open frame tile must be paired front and back for open tile application. Back and front tiles must be ordered separately.

- Includes upper retainer tabs and lower retainer hooks
- Monochrome painted aluminum tile frame.
- Custom heights available in 8" increments. Call factory for details

To Order, Specify

- 1). Cat. Number
- 2). Color

Open Frame Tile Mid/Bottom Position



Height	Width	Cat. Number	List
8"	24"	OFTM 0824	\$ 74
8"	30"	OFTM 0830	\$ 78
8"	36"	OFTM 0836	\$ 84
8"	42"	OFTM 0842	\$ 89
8"	48"	OFTM 0848	\$ 99
8"	60"	OFTM 0860	\$125
16"	24"	OFTM 1624	\$ 82
16"	30"	OFTM 1630	\$ 87
16"	36"	OFTM 1636	\$100
16"	42"	OFTM 1642	\$107
16"	48"	OFTM 1648	\$115
16"	60"	OFTM 1660	\$139
24"	24"	OFTM 2424	\$123
24"	30"	OFTM 2430	\$132
24"	36"	OFTM 2436	\$141
24"	42"	OFTM 2442	\$151
24"	48"	OFTM 2448	\$167
24"	60"	OFTM 2460	\$211

NOTE:

Open frame tile must be paired front and back for open tile application. Back and front tiles must be ordered separately.

- Includes upper retainer tabs and lower retainer hooks
- Monochrome painted steel aluminum frame.
- Custom heights available in 8" increments.

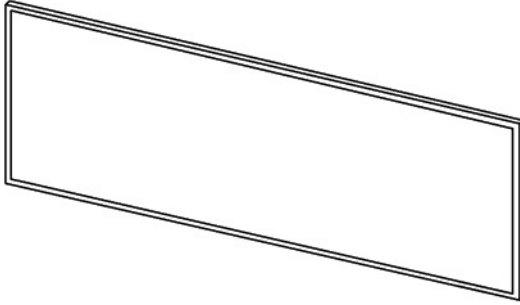
To Order, Specify

- 1). Cat. Number
- 2). Color

TILES

Shaded Items in Price List Available In
Limited Stocking Program

Marker Board Tile



Height	Width	Cat. Number	Wt./Ctn	List
16"	24"	GWT 1624	8.58	\$147
16"	30"	GWT 1630	10.58	\$156
16"	36"	GWT 1636	11.98	\$170
16"	42"	GWT 1642	13.98	\$184
16"	48"	GWT 1648	15.98	\$197
16"	60"	GWT 1660	19.98	\$251
24"	24"	GWT 2424	17.42	\$223
24"	30"	GWT 2430	21.60	\$238
24"	36"	GWT 2436	25.77	\$257
24"	42"	GWT 2442	30.02	\$279
24"	48"	GWT 2448	34.56	\$299
24"	60"	GWT 2460	38.60	\$382
32"	24"	GWT 3224	17.42	\$297
32"	30"	GWT 3230	21.60	\$338
32"	36"	GWT 3236	25.77	\$380
32"	42"	GWT 3242	30.02	\$397
32"	48"	GWT 3248	34.56	\$463
32"	60"	GWT 3260	38.60	\$546

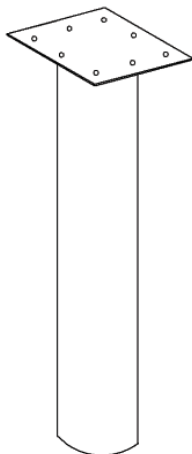
- Includes upper retainer tabs and lower retainer hooks
- Painted aluminum frame surface.
- Whiteboard glass tile surface.
- Order dry erase accessories separately.
- Custom heights available in 8" increments.

To Order, Specify
1). Cat. Number
2). Trim Color

WORKSURFACE SUPPORTS

Shaded Items in Price List Available In
Limited Stocking Program

Peninsula Support Column

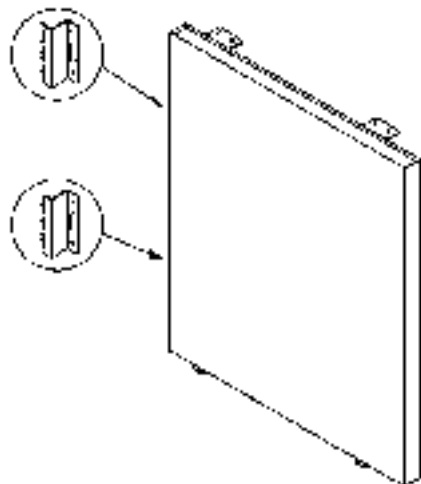


Cat. Number	List
PSC-115	\$122

- Specify column as floor to worksurface support on transaction side for peninsula tops.
- All support columns are powder coat painted black. Upcharge for alternate color.
- Height is 27.75" to 29.75". Mounting plate is 6"x 6"x 3/16".
- Base spread is 4".
- Standard Finish: Black

To Order, Specify
1) Cat. Number
2) Optional color
(upcharge)

End Support



Cat. Number	List
TF-EP	\$147

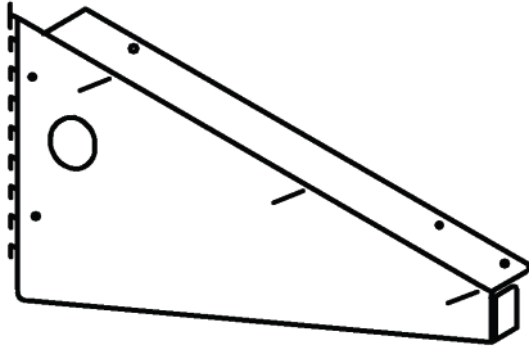
- Specify End Support as floor to worksurface support on end of worksurfaces.
- End supports are powder coat painted black.
- Upcharge for alternate color.
- Height is 27.75" to 29.75" in. Depth is 23.43" in.
- Includes two threaded height-adjustment glides, two rail attachment brackets and two worksurface attachment brackets.
- Standard finish: Black

To Order, Specify
1) Cat. Number
2) Optional color
(upcharge)

WORKSURFACE SUPPORTS

Shaded Items in Price List Available In
Limited Stocking Program

Universal Cantilever

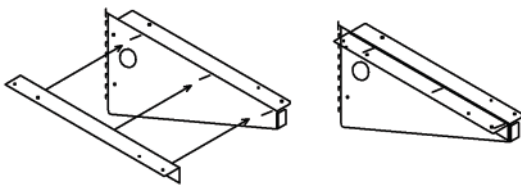


Cat. Number	List
JM 0006P L	\$ 31
JM 0006P R	\$ 31

- All cantilevers are powder coat painted black. Upcharge for alternate color.
- May be used as worksurface center support where required.
- Actual depth is 18 3/4". Installed depth is 17 3/4".
- Standard Finish: Black

To Order, Specify
1) Cat. Number
2) Optional color (upcharge)

Shared Cantilever Bracket



Cat. Number	List
JM 0015P	\$ 8

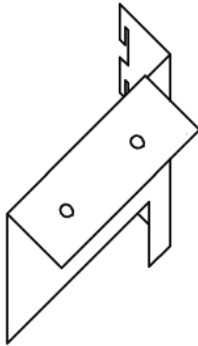
- All Shared Brackets are powder coat painted black. Upcharge for alternate color.
- Used when specifying support for adjacent wall or panel hung worksurfaces at the seams.
- Installs into universal cantilever. Can be used on left or right hand cantilever.
- Standard Finish: Black

To Order, Specify
1) Cat. Number
2) Optional color (upcharge)

WORKSURFACE SUPPORTS

Shaded Items in Price List Available In
Limited Stocking Program

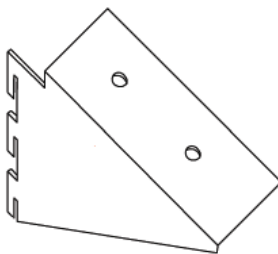
Rear/Side Work Surface Support Bracket



Cat. Number	List
TF CSB L	\$ 10
TF CSB R	\$ 10

- Used when specifying support at corner junction of wall or panel where worksurface support is required.
 - Specify Left Hand or Right Hand.
 - Available only in Black
- To Order, Specify**
1) Cat. Number
2) Left or Right Handed

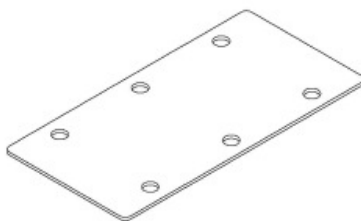
Transaction Work Surface Support Bracket



Cat. Number	List
TF CTB L	\$ 13
TF CTB R	\$ 13

- Used when specifying support for a transaction surface where worksurface support is required.
 - Specify Left Hand or Right Hand.
 - Available only in Black
- To Order, Specify**
1) Cat. Number
2) Left or Right Handed

Flat Plate



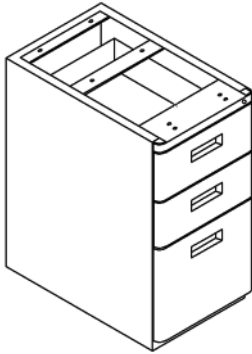
Cat. Number	List
TF FB	\$ 8

- Used to solidify the front edge of two adjacent work surfaces or splice bridge surfaces to adjacent work surface.
 - Flat brackets are 6" x 3" and have 6 holes.
 - Available only in Black
- To Order, Specify**
1) Cat. Number

STORAGE AND ACCESSORIES

Shaded Items in Price List Available In
Limited Stocking Program

B Front Box/Box/File Structural Pedestal

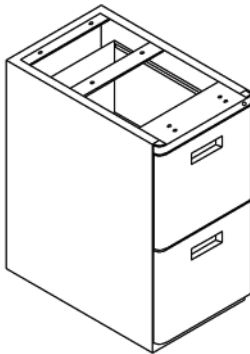


Cat. Number	Wt./ Ctn.	List
PED-BBF24B	60	\$554
PED-BBF29B	69	\$627

- Radius front vertical corners with black recessed drawer pulls.
- Adjustable height from 27 1/2" to 29". Actual depth is 23 1/2" (24"ped) & 29 3/8" (30"ped). Actual width is 14 3/4".
- Pedestal includes lock core and mechanism with (2) keys: Cannot be ordered without lock.
- Includes (1) one pencil tray, black. Additional trays may be ordered separately.
- Order legal file conversion bars separately.
- All storage components may be keyed alike. Cores must be specified separately. Master keys and core removal keys are available (ordered separately).

To Order, Specify
1) Cat. Number
2) Finish Color

B Front File/File Structural Pedestal



Cat. Number	Wt./ Ctn.	List
PED-FF24B	60	\$558
PED-FF29B	66	\$647

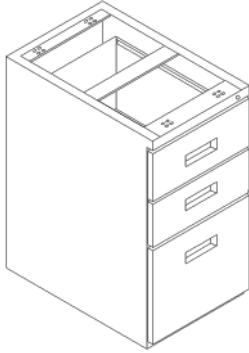
- Radius front vertical corners with black recessed drawer pulls.
- Adjustable height from 27 1/2" to 29". Actual depth is 23 1/2" (24"ped) & 29 3/8" (30"ped). Actual width is 14 3/4".
- Pedestal includes lock core and mechanism with (2) keys: Cannot be ordered without lock.
- Includes (1) one pencil tray, black. Additional trays may be ordered separately.
- Order legal file conversion bars separately.
- All storage components may be keyed alike. Cores must be specified

To Order, Specify
1) Cat. Number
2) Finish Color

STORAGE AND ACCESSORIES

Shaded Items in Price List Available In
Limited Stocking Program

SA Front Box/Box/File structural Pedestal

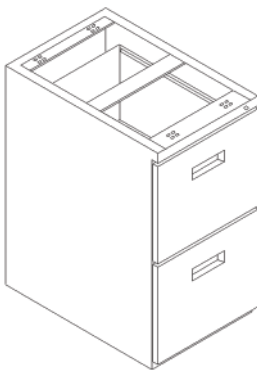


Cat. Number	Wt./ Ct	List
PED-BBF22S	60	\$412

- Square front vertical corners with black recessed drawer pulls.
- Adjustable height from 27 1/2" to 29". Actual depth is 22" (22"ped)
- Pedestal includes lock core and mechanism with (2) keys: Cannot be ordered without lock.
- Includes (1) one pencil tray, black. Additional trays may be ordered separately.
- Order legal file conversion bars separately.
- All storage components may be keyed alike. Cores must be specified separately. Master keys and core removal keys are available (ordered separately).

To Order, Specify
1) Cat. Number
2) Finish Color

SA Front File/File Structural Pedestal



Cat. Number	Wt./ Ctn.	List
PED-FF22S	60	\$412

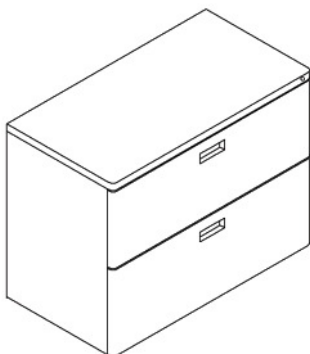
- Square front vertical corners with black recessed drawer pulls.
- Adjustable height from 27 1/2" to 29". Actual depth is 22" (22"ped) &
- Pedestal includes lock core and mechanism with (2) keys: Cannot be ordered without lock.
- Order legal file conversion bars separately.
- All storage components may be keyed alike. Cores must be specified separately. Master keys and core removal keys are available (ordered separately).

To Order, Specify
1) Cat. Number
2) Finish Color

STORAGE AND ACCESSORIES

Shaded Items in Price List Available In
Limited Stocking Program

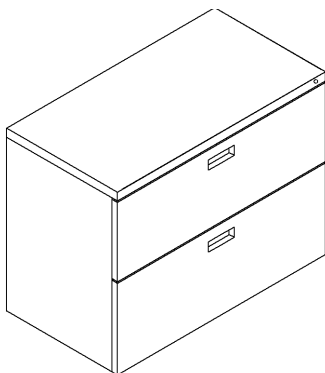
B Front 2 Drawer Lateral File Cabinet



Cat. Number	Wt./ Ctn.	List
LAT-230B	122	\$1,127
LAT-236B	140	\$1,195

- Radius front vertical corners with black recessed drawer pulls.
 - Adjustable height from 27 3/8" to 29". Actual depth is 19 3/16". Actual width is 36".
 - Pedestal includes lock core and mechanism with (2) keys: Cannot be ordered without lock.
 - Order legal file conversion bars separately.
 - All storage components may be keyed alike. Cores must be specified separately. Master keys and core removal keys are available (ordered separately).
- To Order, Specify**
1) Cat. Number
2) Finish Color

SA Front 2 Drawer Lateral File Cabinet



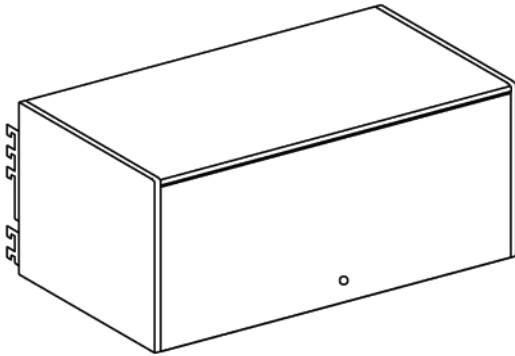
Cat. Number	Wt./ Ctn.	List
LAT-230S	122	\$1,127
LAT-236S	140	\$1,195

- Radius front vertical corners with black recessed drawer pulls.
 - Adjustable height from 27 3/8" to 29". Actual depth is 19 3/16". Actual width is 36".
 - Pedestal includes lock core and mechanism with (2) keys: Cannot be ordered without lock.
 - Order legal file conversion bars separately.
 - All storage components may be keyed alike. Cores must be specified separately. Master keys and core removal keys are available (ordered separately).
- To Order, Specify**
1) Cat. Number
2) Finish Color

STORAGE AND ACCESSORIES

Shaded Items in Price List Available In
Limited Stocking Program

Overhead Cabinet With Receding Door

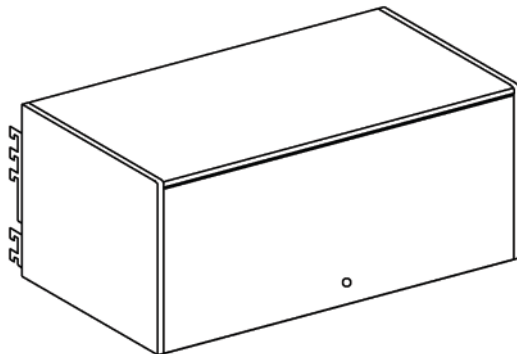


Size	Cat. Number	List
24"	FDU-24B	\$336
30"	FDU-30B	\$371
36"	FDU-36B	\$409
42"	FDU-42B	\$445
48"	FDU-48B	\$511
60"	FDU-60B	\$571

- Overhead Cabinet Dimensions:
16.5"h. x 15"d. x (24" to 60")wide
- Includes removeable lock core and key.
- Receding Door opens and stores inside of Cabinet
- Radius corner shelf end

To Order, Specify
1) Cat. Number
2) Finish Color

Overhead Cabinet With Flipper Door



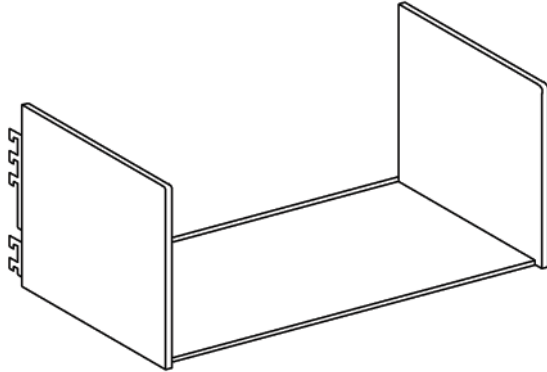
Size	Cat. Number	List
24"	FDU-24S	\$274
30"	FDU-30S	\$306
36"	FDU-36S	\$339
42"	FDU-42S	\$372
48"	FDU-48S	\$431
60"	FDU-60S	\$485

- Overhead Cabinet Dimensions:
16.5"h. x 15"d. x (24" to 60")wide
- Includes removeable lock core and key.
- Flipper Door opens and stores on top of cabinet
- Squared corner shelf end

To Order, Specify
1) Cat. Number
2) Finish Color

Shaded Items in Price List Available In
Limited Stocking Program

Open Shelf Full Height

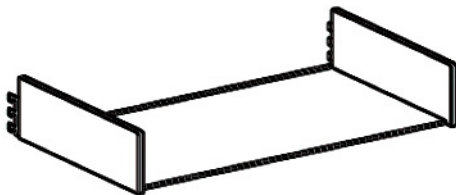


Size	Cat. Number	List
24"	TFS-24	\$217
30"	TFS-30	\$233
36"	TFS-36	\$251
42"	TFS-42	\$269
48"	TFS-48	\$308
60"	TFS-60	\$347

• Open Shelf Full Height Dimensions:
16.5"h. x 15"d. x (24" to 60")wide

To Order, Specify
1) Cat. Number
2) Finish Color

Open Shelf Half Height



Size	Cat. Number	List
24"	TFHHS24	\$131
30"	TFHHS30	\$137
36"	TFHHS36	\$139
42"	TFHHS42	\$146
48"	TFHHS48	\$156
60"	TFHHS60	\$182

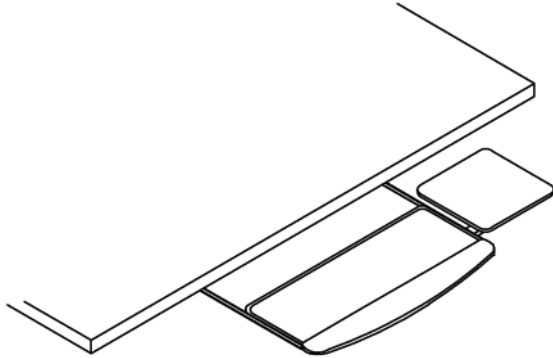
• Open Shelf Half-Height Dimensions:
7.5"h. x 15"d. x (24" to 60")wide

To Order, Specify
1) Cat. Number
2) Finish Color

STORAGE AND ACCESSORIES

Shaded Items in Price List Available In
Limited Stocking Program

Sliding Keyboard Tray and Mouse

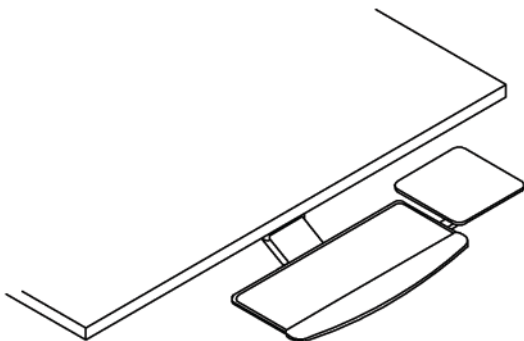


Cat. Number	Wt./Ctn.	List
KT-S	6	\$ 119

- PVC construction with black textured finish.
- Steel ball bearing spension included.
- Actual width is 21 1/8". Actual depth is 16 1/4".

To Order, Specify
1) Cat. Number

Articulating Keyboard Tray and Mouse Pad



Cat. Number	Wt./Ctn	List
KT-A	12	\$ 220

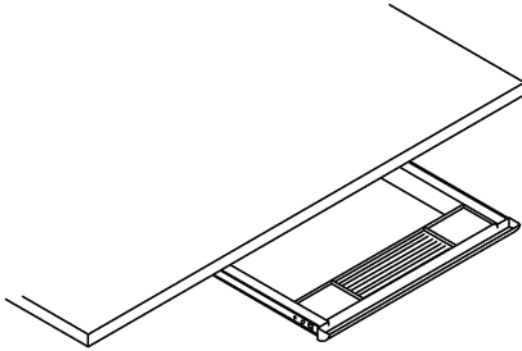
- Keyboard tray supports a standard computer keyboard. (2) knob set for tilt and height adjustment.
- Includes mouse tray with pad. Mounts left or right handed.
- Mounting hardware included.
- Mouse tray has a vertical axis radius of 270° and has 30° of horizontal tilt.

To Order, Specify
1) Cat. Number

Shaded Items in Price List Available In
Limited Stocking Program

STORAGE AND ACCESSORIES

Center Drawer

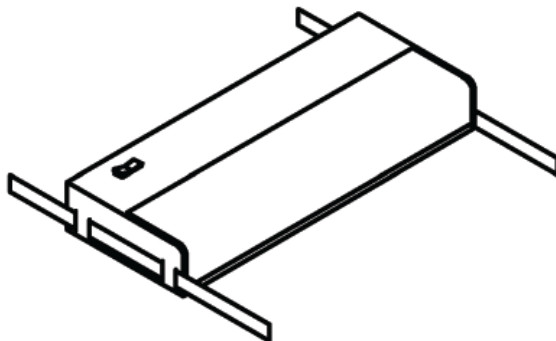


Cat. Number	Wt./Ctn.	List
PED CDB	0.6	\$ 74

- PVC construction with black textured finish.
- Steel bearing drawer suspension included.
- Actual width is 21 1/8". Actual depth is 16 1/4".

To Order, Specify
1) Cat. Number

Utility Task Light



Size	Cat. Number	List
24"	TL-24	\$ 85
36"	TL-36	\$117
48"	TL-48	\$145

- For use mounted under shelf or flipper door units.
- Electronic Ballast on all lights.
- Power cord measures 72"L.

To Order, Specify
1) Cat. Number